

Nivotemp M-0-MS-OV



The Nivotemp M-O-MS-OV is part of the Nivotemp M family but is differentiated by its oval flange. The unit is suitable for level control or for the combined control of both level and temperature in smaller hydraulic and lubrication systems.

The flange configuration allows for easy installation. Featuring small physical dimensions the Nivotemp M series has adjustable bistable contacts. The number of contacts is determined by the type of the connector. (See the table overleaf). The use of bistable contacts allows the float to operate a number of contacts.

- **combination of level and temperature**
- **adjustable level contacts**
- **bistable level contacts = only one float**
- **float with excellent buoyancy**
- **connector included**
- **easy to install from tank top**
- **maintenance free**

technical data

switch tube

operating pressure	max. 1 bar
operating temperature	max. 80 °C
spec. gravity of fluid	min. 0,8 kg/dm ³
float SK 161	NBR
switch tube	brass
flange	brass
seal (flange)	GI-cork

level contacts

	K8	W9
function	*NC / NO	change over
min. distance betw. cont.	40 mm	40 mm
max. voltage	230 V	48 V
max. current	0,5 A	0,5 A
contact load	10 VA	20 VA
part - no	1893999	1890899

* NC = normally closed / NO = normally open all figures at **empty reservoir**

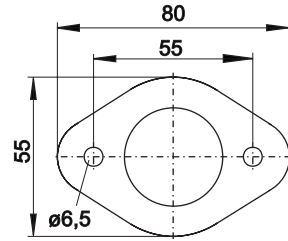
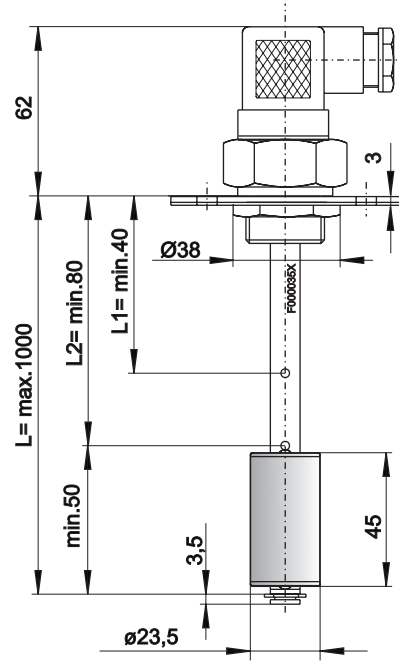
temperature contacts

max. voltage	250V
max. current	2,5A
contact load	100 VA
hysteresis	15 K ± 5 K

		NC*	Art.-Nr.	NO*	Art.-Nr.
switch point	50°C	TMÖ-50	1846299	-	-
	55°C	-	-	TMS-60	1848299
	60°C	TMÖ-60	1846099	TMS-60	1848099
	70°C	TMÖ-70	1847099	TMS-70	1849099
	80°C	TMÖ-80	1847299	TMS-80	1848499

other settings upon request

* NC = normally closed / NO = normally open all figures at **rising temperature**



connectors

protection class
cable gland
other connectors
upon request

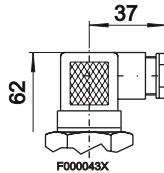
max. no of contacts
level-/ temperature contact
or

level contact only
or

max. voltage

M3

3 pol. + PE
DIN 43650
IP 65
PG 11



1 x K8 / 1 x TM
- / -

2 x K8
1 x W9

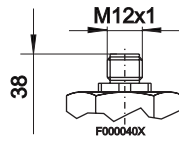
230 V AC/DC
48 V with change
over contact

M12 (socket)

4 pol.

IP 67**
PG 7**

**with plug fixed



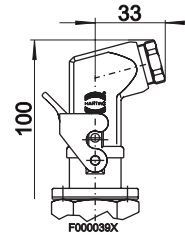
1 x K8 / 1 x TM
- / -

2 x K8
1 x W9

24 V DC

C7

7 pol. + PE
DIN 46651
IP 65
PG 11



3 x K8 / 1 x TM
2 x W9 / 1 x TM

4 x K8
2 x W9

230 V AC/DC
48 V with change
over contact

ordering information

part- no of basic version, **without contact** , L=variable

with connector

Nivotemp M-0-MS-OV

M3

10110999

M12

10129199

C7

10129299

- L = ...

order example:

you need: length level contact L= 520 mm, first contact at NC with L1=100 mm , second contact at NO with L=450 mm

you order: part-no: 10110999 Nivotemp M 0-MS-OV-M3-L= 520, 2 x contact K8 (1893999) L1=100 NC, L2 = 450 NO