

Fluidcontrolterminal G $\frac{3}{4}$ - 2...



Systematic oil care is of great importance to operators of fluid power and lubrication systems who wish to minimize maintenance costs and optimize the durability of both the oil and system components.

Checking both cleanliness and chemical composition is made easier by having a dedicated sampling port. Topping up the system through a dedicated G3/4 port fitted with a quick release coupling ensures cleanliness and facilitate the use of filter carts.

By incorporating the above features with a level control, temperature control and breather filter with condition indicator, BÜHLER has designed an integrated solution giving cost savings on installation and tank apertures. It should be noted that the filter port is totally isolated from the float tube in order to prevent incorrect level readings whilst filling/topping up.

The fluidcontrol terminal is available in 3 basic versions and there are a number of customized models available.

- **3 micron breather filter**
- **level controls**
- **temperature controls**
- **filling port G3/4**
- **sample port**
- **compact dimensions**
- **easy installation**
- **modular design**

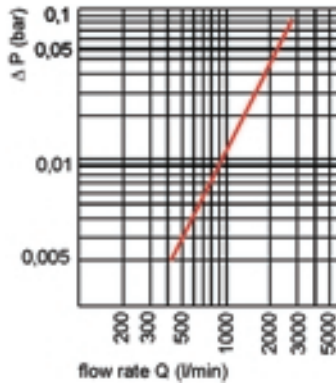
technical data

breather

retention rate SM - L 3 µm

housing material polyamid

flow / differential pressure diagramm



terminal

lowest specific gravity min. 0,8 kg/dm³

operating temperature max. 80°C

ordering information

x stands for the number below

part-no.

10	15	x	x	x	x	x	x
		1	2	3			
			1	2	9		
				1	2		
					1	2	
						1	2
							0
						1	2
							0

FC-Terminal G³/₄

21-0 - SM-L*
23-K - SM-L
23-KN - SM-L

length L

L= 370mm
L= 520mm
L= variable**

connectors

type: C6
type: M12

option 1

with hose coupling DN 5
with additional test point outlet

option 2

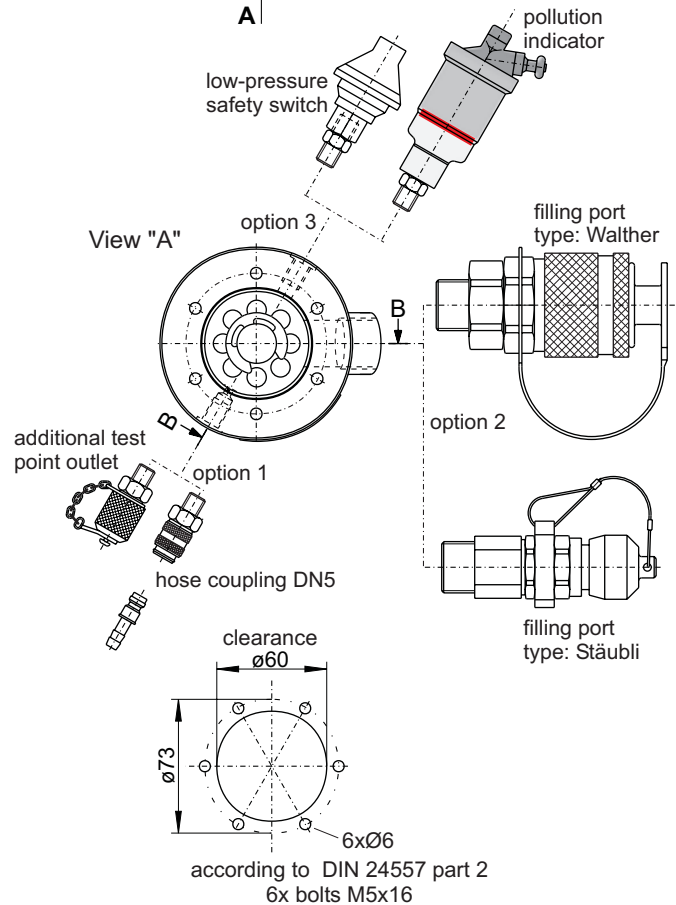
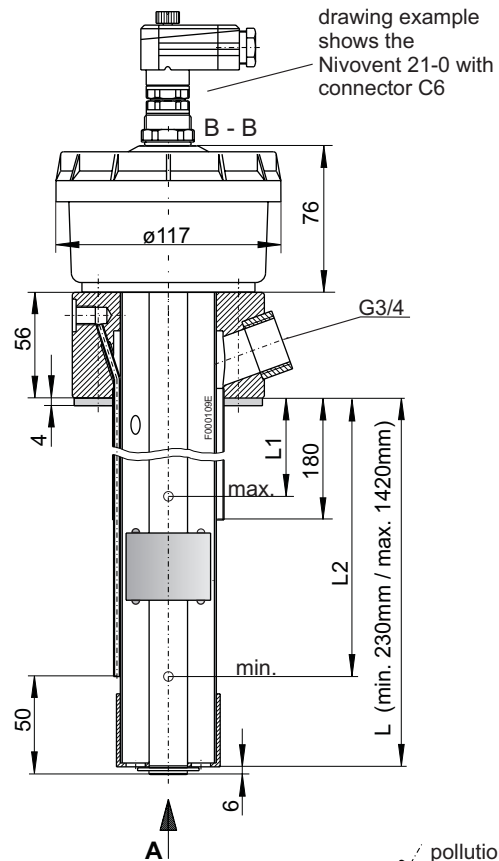
filling port type: Walther
filling port type: Stäubli
with sealing plug

option 3

with pollution indicator
with low-pressure safety switch
with sealing plug

* Data on no. of contacts, position and function give in additional text. Please use the data sheet of Nivovent 21-0 for help.

**Length with usage of types 23 by steps of 150mm, starting with length 220mm up to max. 1420mm. Please use the data sheet of Nivovent 23-K / -KN for help.



order example:

you need: FC-Terminal G³/₄ 21-0, L=520mm, with connector C6, additional test point outlet, filling port type Walther, with low-pressure safety switch, two level contacts, first contact at NO with L₁=100mm, second contact at L₂=450mm, one temperature contact opening at 50 °C

you order: Fluidcontrolterminal G³/₄-21-0 - SM-L with part-no: 10 15 1 2 1 1 1 2

2x contacts K10 (1889999) L₁=100 NO, L₂=450 NC, 1x temperature contact TKÖ-50 (1846299)