

TV17GO | High pressure valve, manual actuation

Specification



Pressure range: 0 - 420 bar

- Valve with OFF / ON function
- Actuation: manual

The TV17GO is a stop valve which can switch the gas flow OFF or ON, comparable to a two-way ball valve, but with a substantially higher durability. The compact design makes the TV17GO ideal for installation into gas process plants.



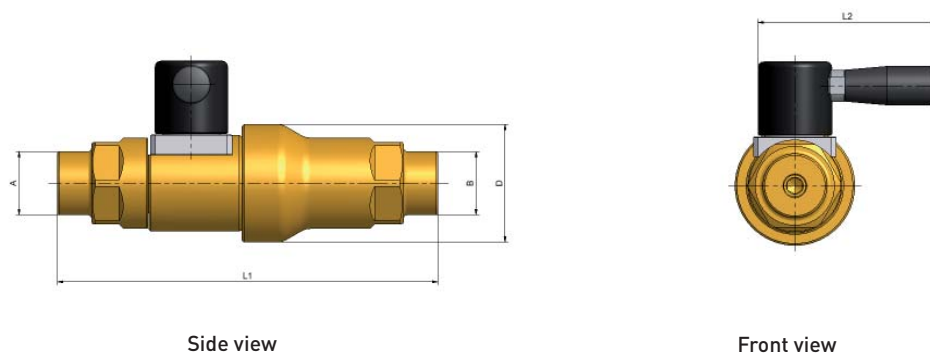
TV17GO - Symbol

Features

Characteristic	Specification
Actuation	Manual
Valve function	By actuation depressurized OFF or ON
Flow rate	Media flow possible in both directions (outlet A to inlet B and inlet B to outlet A)
Automatic venting	No
Check valve	No
Vacuum operation	Yes
Seals within media flow	NBR, others on request
Parts within media flow	Brass and stainless steel, others on request
PS (allowed operating pressure)	0 to 420 bar

TV17G0 | Technical data

Dimensions



Ordering

Part No. TV17G0	DN	Inlet B Outlet A	L1	L2	D
C1-51507	8	M28x1.5 external thread	183	97	55
C1-84662	12	UNF 1 3/8" - 12 external thread	210	97	65

Approx. dimensions in mm

Options & Accessories

The TV17G0 is also available oxygen cleaned free of oil and grease. Please indicate when ordering.
Other materials and seals on request.
A large variety of adaptors are available, see page 24 of our catalogue 55 for linear valves.