

# Check Valve

## Type TVR1 H<sub>2</sub> 70 MPa

### High-Performance Check Valve for hydrogen for use with cars (DN 4 mm)

With this product WEH offers a high performance check valve for use with hydrogen cars of the latest generation. The check valve system is designed to minimize the effect that dirt particles have on the sealing components within the unit.

The WEH-TV1 H<sub>2</sub> 70 MPa Check Valve is designed of high-grade corrosion-resistant steel achieving a very durable unit (see TN1 H<sub>2</sub> 70 MPa receptacle).



# Check Valve

## Type TVR1 H<sub>2</sub> 70 MPa

### Technical Data:

**Application:**  
H<sub>2</sub> check-valve for cars

**Temperature range:**  
-40°C bis +85°C

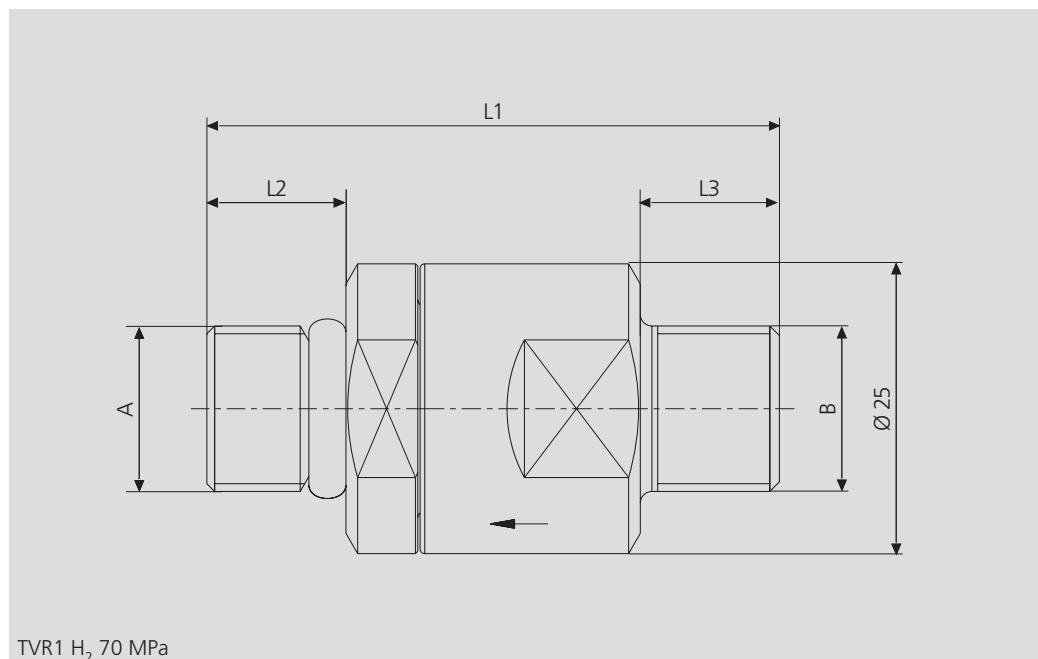
**Design:**  
All parts corrosion-resistant steel. Seals hydrogen compatible.

**Pressure range:**  
PN = 700 bar  
PS = 875 bar  
PT = 1255 bar

**Registration:**  
PED 97/23/EU: CE 0036  
corresponds to EIHP  
(version 12b)

When enquiring for this check valve please specify the requested connection.

### Dimensions (mm):



### Ordering:

Description	Inlet B (mm)	Outlet A (mm)	L1 (mm)	L2 (mm)	L3 (mm)	Part No.
TVR1 H <sub>2</sub> 70 MPa	O-lok Face Seal** for tube Ø 6 mm (1/4")	UNF 9/16"-18 external thread *	49.4	12.0	12.0	C1-75561
TVR1 H <sub>2</sub> 70 MPa	UNF 9/16"-18 external thread *	O-lok Face Seal** for tube Ø 6 mm (1/4")	51.4	12.0	12.0	C1-76958
TVR1 H <sub>2</sub> 70 MPa	O-lok Face Seal** for tube Ø 10 mm (3/8")	O-lok Face Seal** für tube Ø 6 mm (1/4")	49.4	12.0	12.0	C1-76959

\* Acc. to SAE J1926

\*\* O-lok acc. to SAE J1453

**Manufacturer:**  
**WEH** GmbH  
**Gas Technology**

Siemensstrasse 5  
89257 Illertissen/Germany

Tel.: (0 73 03) 9 51 90-0  
Fax: (0 73 03) 9 51 90-9999

E-mail: sales@weh.com  
http:// www.weh.com

Right is reserved to make changes without prior notification.

© Copyright by WEH GmbH 2006.

WEH is not responsible for typographical errors and omissions and damages arising herefrom.