

Display and control unit Multitronik

easyMont



Multifunctional device for display and monitoring of various measurements like level, temperature, and pressure

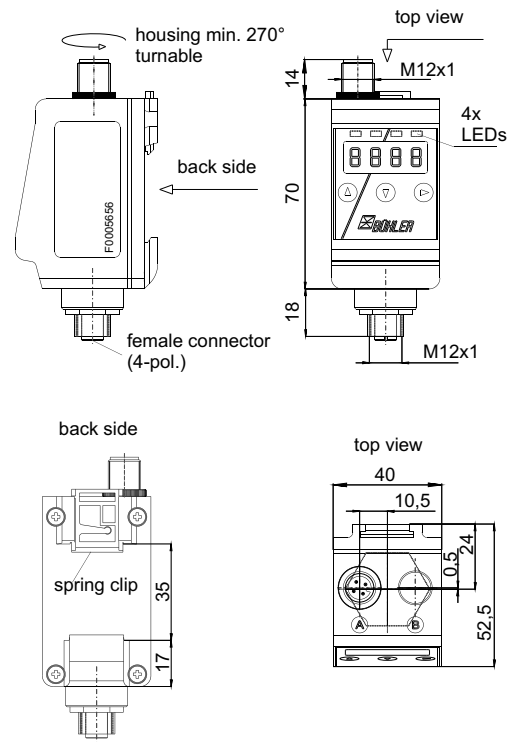
- Compact design
- Highly visible LED display with status indication of the switching outputs
- Almost any length of cable connections between measurement point and display
- Units like cm, inch, °C, °F, bar or psi programmable
- Up to four programmable outputs
- Alternatively analogue output (adjustable as current or voltage output) plus one programmable output
- Two switching outputs adjustable as frequency output (1 to 100 Hz)
- Output characteristic of the switching output adjustable as window or hysteresis
- Menu structure based on VDMA guideline 24574 ff.
- Min/max value memory, logbook function



Technical data

Display

display units	4 digit 7 segment LED display b (bar), P (psi), C (°C), F (°F), L (Litre) as well as various other letters and symbols for free choice
accuracy	1%
protection system	IP65
operation	by 3 buttons
current consumption at power up	approx. 100 mA for 100 ms
operating current consumption	approx. 50 mA
supply voltage (U _B)	10 V to 30 V DC (nominal voltage 24 V DC)
ambient temperature	-20 °C to +70 °C
weight	approx. 100 g
fixing	35 mm rail mounting



Following output configurations are available:

Type	Multitronik-2S	Multitronik-1S-K	Multitronik-4S
female (sensor supply)	M12 - 4 pol	M12 - 4 pol	M12 - 4 pol
male (base)	M12 - 4 pol	M12 - 4 pol	M12 - 8 pol.
PNP transistor output, current PNP output max. contact load overall	2 x free programmable max 0,5 A per output 1 A	1 x free programmable max. 0,5 A per output 1 A	4 x free programmable max. 0,5 A per output 1 A
analogue output		1 x 4 - 20 mA, 2-10 V, 0-10 V or 0-5 V max. 500 Ω	
load analogue output			
Part No.	18 770 199	18 770 399	18 770 299

A
L
T
E
R
N
A
T
I
V
E

Pin assignment	Multitronik-2S	Multitronik-1S-K	Multitronik-4S
Bushing - remote display (Sensor supply)			
Connector (base)			

Accessories

Part-No. 4-pole	Part-No. 8-pole	Description
9144 05 0010	9144 05 0048	Connecting cable M12x1, 1,5 m, elbow connector (female) and straight connector (male)
9144 05 0046	9144 05 0049	Connecting cable M12x1, 3,0 m, elbow connector (female) and straight connector (male)
9144 05 0047	9144 05 0033	Connecting cable M12x1, 5,0 m, elbow connector (female) and wire

18 020 991 DIN Rail (please quote length)

Note

The following Bühler sensors do have a 4-20 mA output and thus are compatible to the display and control unit:

Level measurement

Nivotemp NT 63 (see data sheet DD 10 0210) Temperature sensor MK2 / EK2 (see data sheet DD 11 0202)
Nivovent NV 73 (see data sheet DD 10 0206) all level switches with option KT

Temperature measurement