

## Filling and breather adapter



The reduction of maintenance costs is of very high importance to operators of fluid power and lubrication systems. Therefore systematic oil care is considered a high priority. Only if the oil is kept in good condition can the lifetime of both oil and system components be optimized cost effectively.

Systematic oil care requires regular checks of the oil's chemical condition and cleanliness thus easy access to fixed sample and filling ports is a key issue.

Systematic oil care also requires changes to current filling and topping up practices. The use of filter carts makes this task more efficient.

In order to reduce installation costs and space the combination of a breather filter with filling and sample port has been designed. Both ports are equipped with quick disconnects for fast and clean operation. The filling channel is completely separated from the breathing function. The breather filter element is disposable and available in different retention rates and materials. A contamination indicator for the filter is available either as a visual or electrical unit.

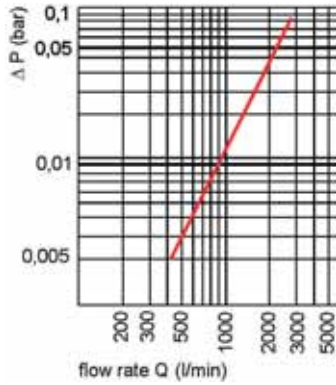
- **easy installation**
- **compact design**
- **clean operation**
- **disposable qualifield filter element**
- **DIN flange fits on existing reservoirs**
- **ports for online particle counter possible**

# technical data

## breather

retention rate SM-L=3 µm or MIC=10 µm  
 housing material Polyamid

flow / differential pressure diagram



## material

flange galvanised steel  
 stilling tube brass  
 operating temperature max. 80°C

## ordering information

x stands for the number below

### part-no.

10	16	x	x	x	x	x
		1	2			
			1	2	9	
				1	2	
					1	2
						0
						1
						2
						0

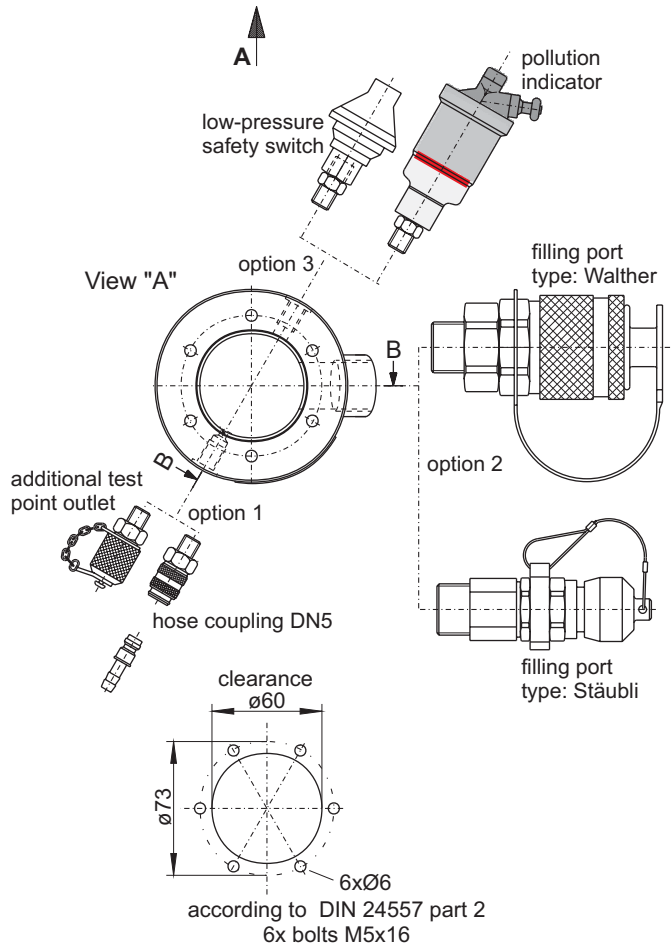
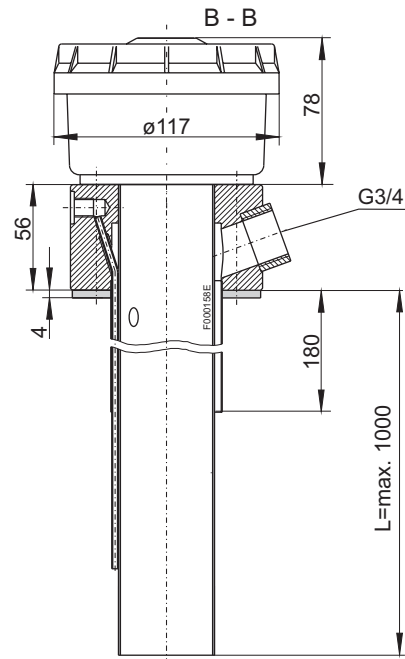
**Filling and breather adapter G3/4 with retention rate**  
 MIC = 10 µm  
 SM-L = 3 µm

**length L**  
 L=370mm  
 L=520mm  
 L=variable

**Option 1**  
 with hose coupling DN 5  
 with additional test point outlet

**Option 2**  
 filling port type: Walther  
 filling port type: Stäubli  
 with sealing plug

**Option 3**  
 with pollution indicator  
 with low-pressure safety switch  
 with sealing plug



## order example:

you need: Filling and breather adapter G<sup>3</sup>/<sub>4</sub>, retention rate of breather =3 µm, L=520mm, with hose coupling, filling port Typ:Walther and with low-pressure safety switch

you order: Filling and breather adapter G<sup>3</sup>/<sub>4</sub> with part-no.: 10 16 2 2 2 1 2