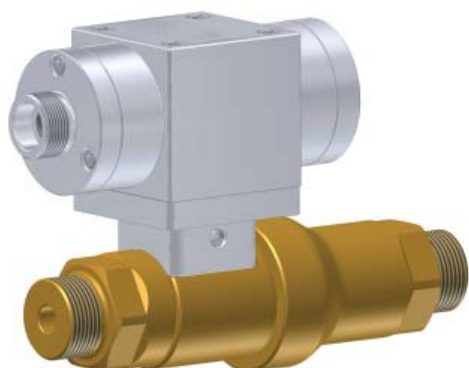


TV17GO | High pressure valve, pneumatic actuation

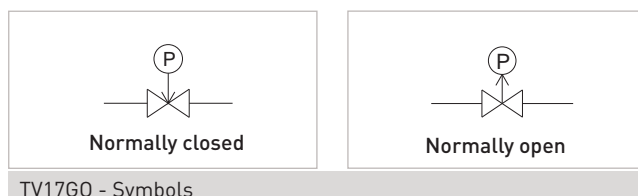
Specification



Pressure range: 0 - 420 bar

- Valve with OFF / ON function
- Actuation: pneumatic

The TV17GO is a stop valve, which can switch the gas flow OFF or ON, comparable to a two-way ball valve, but with a substantially higher durability. The compact design makes the TV17GO ideal for installation into gas process plants. The valve can be ordered normally closed or normally open.

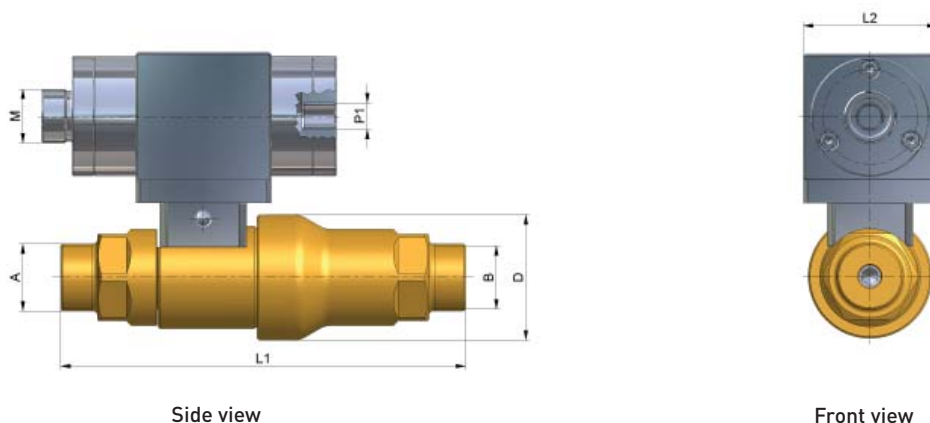


Features

Characteristic	Specification
Actuation	Pneumatic for automatic control e.g. via SPS
Valve function	By actuation depressurized OFF or ON
Flow rate	Media flow possible in both directions (outlet A to inlet B and inlet B to outlet A)
Automatic venting	No
Check valve	No
Vacuum operation	Yes
Seals within media flow	NBR, others on request
Parts within media flow	Brass and stainless steel, others on request
PS (allowed operating pressure)	0 to 420 bar
Pilot pressure	6 to 8 bar

TV17G0 | Technical data

Dimensions



Side view

Front view

Ordering

Part No. TV17G0	DN	Normal position	Inlet B Outlet A	Pilot pressure P1	M	L1	L2	D
C1-51569	8	OFF	M28x1.5 external thread	G1/4" internal thread	M28x1.5 external thread	183	70	60
On request	8	ON	M28x1.5 external thread	G1/4" internal thread	M28x1.5 external thread	183	70	60
C1-79329	12	OFF	UNF 1 3/8" - 12 external thread	G1/4" internal thread	M28x1.5 external thread	210	70	65
C1-77194	12	ON	UNF 1 3/8" - 12 external thread	G1/4" internal thread	M28x1.5 external thread	210	70	65

Approx. dimensions in mm

Options & Accessories

The TV17G0 is also available oxygen cleaned and free of oil and grease. Please indicate when ordering. Other materials and seals on request. A large variety of adapters are available, see page 24 of our catalogue 55 for linear valves.