

TV17GER | High pressure valve with venting and check valve, pneumatic actuation

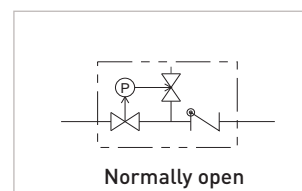
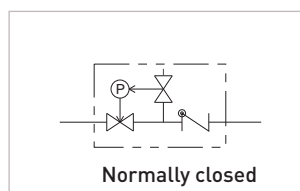
Specification



Pressure range: 0 - 420 bar

- Valve with OFF / ON function
- Automatic venting
- Protection against back flow
- Actuation: pneumatic

The TV17GER is a stop valve which can switch the gas flow OFF or ON, comparable to a two-way ball valve, but with a substantially higher durability. The compact design makes the TV17GER ideal for installation into gas process plants. The valve can be ordered normally closed or normally open. The TV17GER also prevents creeping reverse flow by venting the space between the valve seat and the check valve.



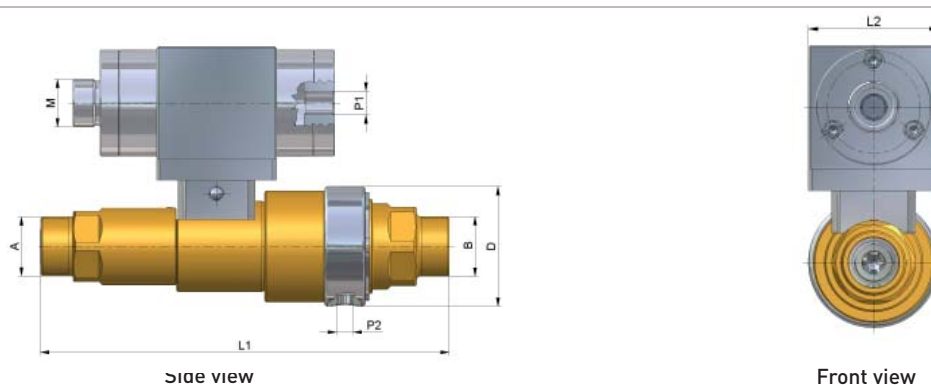
TV17GER - Symbols

Features

Characteristic	Specification
Actuation	Pneumatic for automatic control e.g. via SPS
Valve function	By actuation depressurized OFF or ON
Flow rate	Media flow one-way from inlet B to outlet A
Automatic venting	Yes
Check valve	Yes
Vacuum operation	Yes
Seals within media flow	NBR, others on request
Parts within media flow	Brass and stainless steel, others on request
PS (allowed operating pressure)	0 to 420 bar
Pilot pressure	6 to 8 bar

TV17GER | Technical data

Dimensions



Ordering

Part No. TV17GER	DN	Normal position	Inlet B Outlet A	Pilot pressure P1	Venting P2	M	L1	L2	D
C1-51568	8	OFF	M28x1.5 external thread	G1/4" internal thread	G1/8" internal thread	M28x1.5 external thread	204	70	60
On request	8	ON	M28x1.5 external thread	G1/4" internal thread	G1/8" internal thread	M28x1.5 external thread	204	70	60
C1-74899	12	OFF	UNF 1 3/8" - 12 external thread	G1/4" internal thread	G1/8" internal thread	M28x1.5 external thread	239	70	70
On request	12	ON	UNF 1 3/8" - 12 external thread	G1/4" internal thread	G1/8" internal thread	M28x1.5 external thread	239	70	70

Approx. dimensions in mm

Options & Accessories

The TV17GER is also available oxygen cleaned and free of oil and grease. Please indicate when ordering.
Other materials and seals on request.
A large variety of adapters are available, see page 24 of our catalogue 55 for linear valves.