

Nivovent 73 K / KN , 73 K-VA / KN-VA



More and more designers of modern fluid power systems set very high standards of system reliability. One of the concerns of both designers and operators is a proactive leakage control. It is obvious that this requirement cannot be achieved with traditional level switches. Only the continuous measurement of the liquid level together with fast response PLC systems can meet this requirement.

- **combination of breather filter, level and temperature controls**
- **integrated continuous output 4-20 mA**
- **bistable = only one float**
- **disposable 3µm breather elements**
- **DIN flange**
- **complete with connector**
- **easy installation**
- **maintenance free (except filter element)**

technical data

	73-K / KN-MS	73-K / KN-VA
operating pressure	max. 1 bar	max. 1 bar
operating temperature	max. 80 °C	max. 80 °C
specific gravity of fluid	min. 0,8 kg/dm ³	min. 0,8 kg/dm ³
material:		
float	SK 604 = PU	SK 221 = 1.4571
switch tube	brass	1.4571
breather housing / flange	PA 6	PA 6
breather retention rate	SM-L=3 µm	SM-L=3 µm

level transmitter

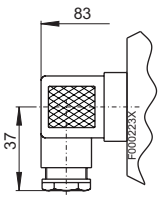
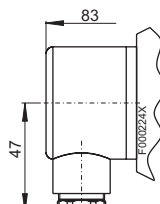
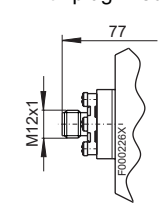
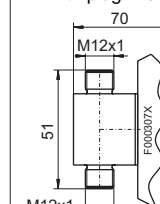
measuring resistor	reed contact	reed contact
resolution	4 mm	7,5 mm
voltage (UB)	10 - 30 V	
ripple	< 1 %	
output signal	4-20 mA*	
max. load Ω	= UB -7,5V / (0,02A)	

* level range 0-100 %

temperature transmitter

measuring resistor	PT 100
tolerance	± 0,8 °C
voltage (UB)	10 - 30 V
ripple	< 1 %
output signal	4-20 mA (= 0-100 °C*)
max. load Ω	= UB -7,5V / (0,02A)

* other settings upon request

connector	M3	S6	M12	2x M12
other connectors upon request	3 pol. + PE DIN 43650	6 pol. + PE	4 pol.	4 pol. / 4 pol.
protection class	IP 65	IP 65	IP 67	IP 67
cable plant	PG 11	M20 x 1,5	PG 7**	PG 7**
				
max. voltage	230 V AC/DC 48 V with change over contacts	230 V AC/DC	24 V DC	24 V DC

supplies

stilling tube made of:	brass	1.4571*
L = till 520 mm	1007203	1007202

*by using of a stilling tube made from 1.4571, the clearance hole must be enlarged to diameter minimum 61.

clogging indicator	part-no.: 79364241
refilling protective cap	part-no.: 107199999

order information

with continuous level and temperature control **73 K-**

part-no.	MS-S6	MS-2xM12	VA-S6	VA-2xM12
L = 370 mm	10730099	10730199	10730299	10730399
L = 520 mm	10730899	10730999	10731099	10731199
L = variable*	10731699	10731799	10731899	10731999

continuous level control only **73 KN-**

part-no.	MS-M3	MS-M12	VA-M3	VA-M12
L = 370 mm	10730499	10730599	10730699	10730799
L = 520 mm	10731299	10731399	10731499	10731599
L = variable*	10732099	10732199	10732299	10732399

*length variable, steps by 150mm ; 73K/KN L=min. 220mm, max. 1420mm ; 73K/KN-VA L= min. 220mm, max. 1120mm

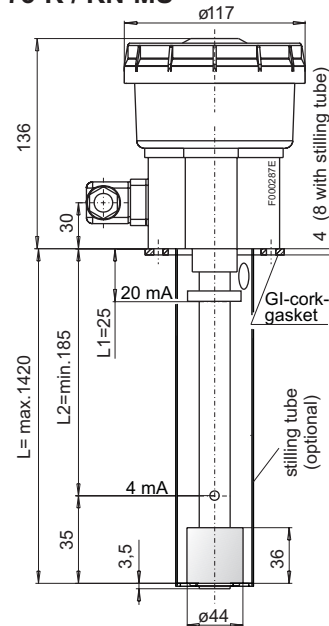
order example:

you need: level switch material MS, length 520 mm, connector S6, continuous level and temperature control,

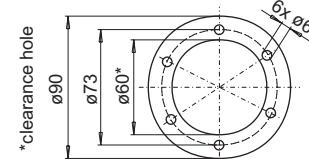
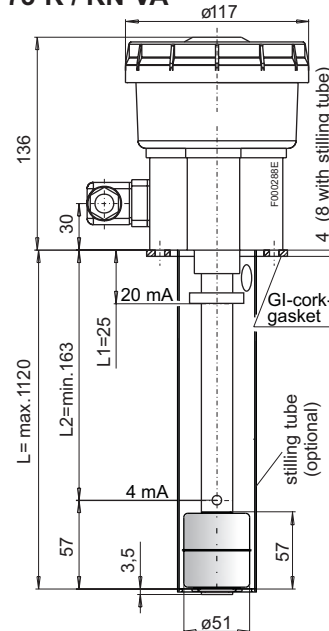
L1 = 25 mm = 20 mA, L2 = 470 mm = 4mA.

you order: part-no.: 10730899 Nivovent 73K-MS-S6, L= 520, L1=25, L2=470

73-K / KN-MS



73-K / KN-VA



breather with optional clogging indicator