

Nivotemp 61-0



By researching existing standards for fluid power packs including DIN 24346 liquid level control, it was found that measuring to 300mm depth was sufficient to control both level and temperature. Therefore the Bühler standard length of 370mm is sufficient and covers most applications. Flange mounting is almost universal for breather/filler units so it is also suitable for mounting temperature and level controls.

The above combination of design features are integrated into the Nivotemp 61 specifically for the fluid power industry.

In addition to the dimensional features the adjustable bistable level contacts, electrical connection options, "unsinkable" responsive floats and various switching options cover most control applications.

If the tables overleaf do not cover your applications please contact us, we have a comprehensive library of solutions.

- **combined level and temperature control**
- **adjustable level contacts**
- **bistable level contacts = only one float**
- **high float sensitivity**
- **international standard flange dimensions**
- **easy installation**
- **maintenance free**

technical data

operating pressure	max. 1 bar
operating temperature	max. 80 °C
spec. gravity of float	min. 0,8 kg/dm ³

material:

float SK 601	hard PU
switch tube	brass
flange	PA 6

level contacts	K10	W11
function	*NC / NO	change over
min. distance of contact	40 mm	40 mm
max. voltage	230 V	48 V
max. current	0,5 A	0,5 A
contact load	10 VA	20 VA
part-no	1889999	1890999

* NC = normally closed / NO = normally open, all figures at **empty reservoir**

temperature contacts

max. voltage	240V
max. current	2,5A
contact load	100 VA
hysteresis	10K ± 3K

switch point:	50°C	TKÖ-50	1841899	TKS-50	1866999
	60°C	TKÖ-60	1841999	TKS-60	1842999
	70°C	TKÖ-70	1844999	TKS-70	1845999
	80°C	TKÖ-80	1852099	TKS-80	1867999

other settings upon request

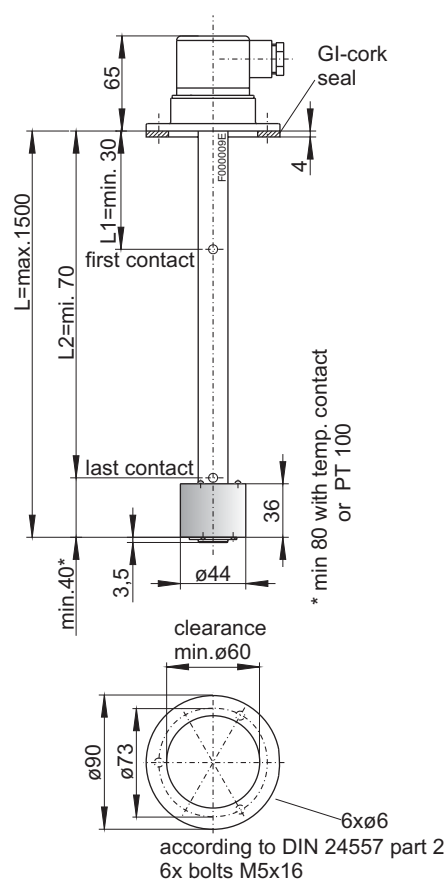
* NC = normally closed / NO = normally open, all figures at **rising temperature**

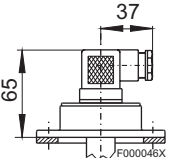
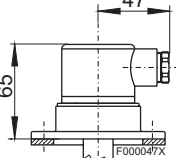
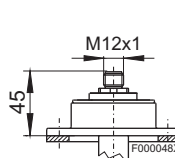
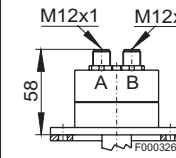
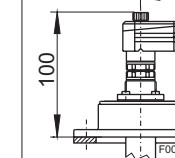
temperature sensor

PT 100	PTSM D
tolerance ± 0,8° C	output signal 4-20 mA
part no. 1120012	part no. 1870999

accessories

stilling tube made from brass	
L = till 520 mm	part-no:100701601
L = from 520 mm	part-no:100701602



connectors	M3	S6	M12	2x M12	C6F
other connectors upon request	3 pol. + PE DIN 43650	6 pol. + PE DIN 43651	4 pol.	4 pol. / 4 pol.	6 pol. + PE DIN 46651
protection class	IP 65	IP 65	IP 67**	IP 67**	IP 65
cable gland	PG 11	M20 x 1,5	PG 7**	PG 7**	PG 11
					
max. no of contacts	1 x K10 / 1 x TK	3 x K10 / 1 x TK	1 x K10 / 1 x TK	3 x K 10 / 1 x TK	3 x K10 / 1 x TK
level-/ temp.-contact or	- / -	1 x W11 / 1 x TK	- / -	1 x W11 / 1 x TK	1 x W11 / 1 x TK
level contact only or	2 x K10 1 x W11	4 x K10 2 x W11	2 x K10 1 x W11	4 x K10 2 x W11	4 x K10 2 x W11
max. voltage	230 V AC/DC 48 V with change over contact	230 V AC/DC 48 V with change over contact	24 V DC	24 V DC	230 V AC/DC 48 V with change over contact

ordering information

part-no of basic version, **without contact**

with connector	M3	S6	M12	2x M12	C6F
L = 370 Nivotemp 61-0-MS	1060199	1060299	1069199	1069799	1069499
L = 520 Nivotemp 61-0-MS	1060399	1060499	1069299	1069899	1069599
L=variable Nivotemp 61-0-MS	1062199	1062299	1069399	1069999	1069699

order example:

you need: length level contact L= 580 mm, 2 level contacts, first contact at NC with L1=100 mm , second contact at NO with L2=500 mm

you order:1062199 Nivotemp 61-0-MS-M3-L=580 , 2 x contact K10 (1889999) L1=100 NC, L2 = 500 NO