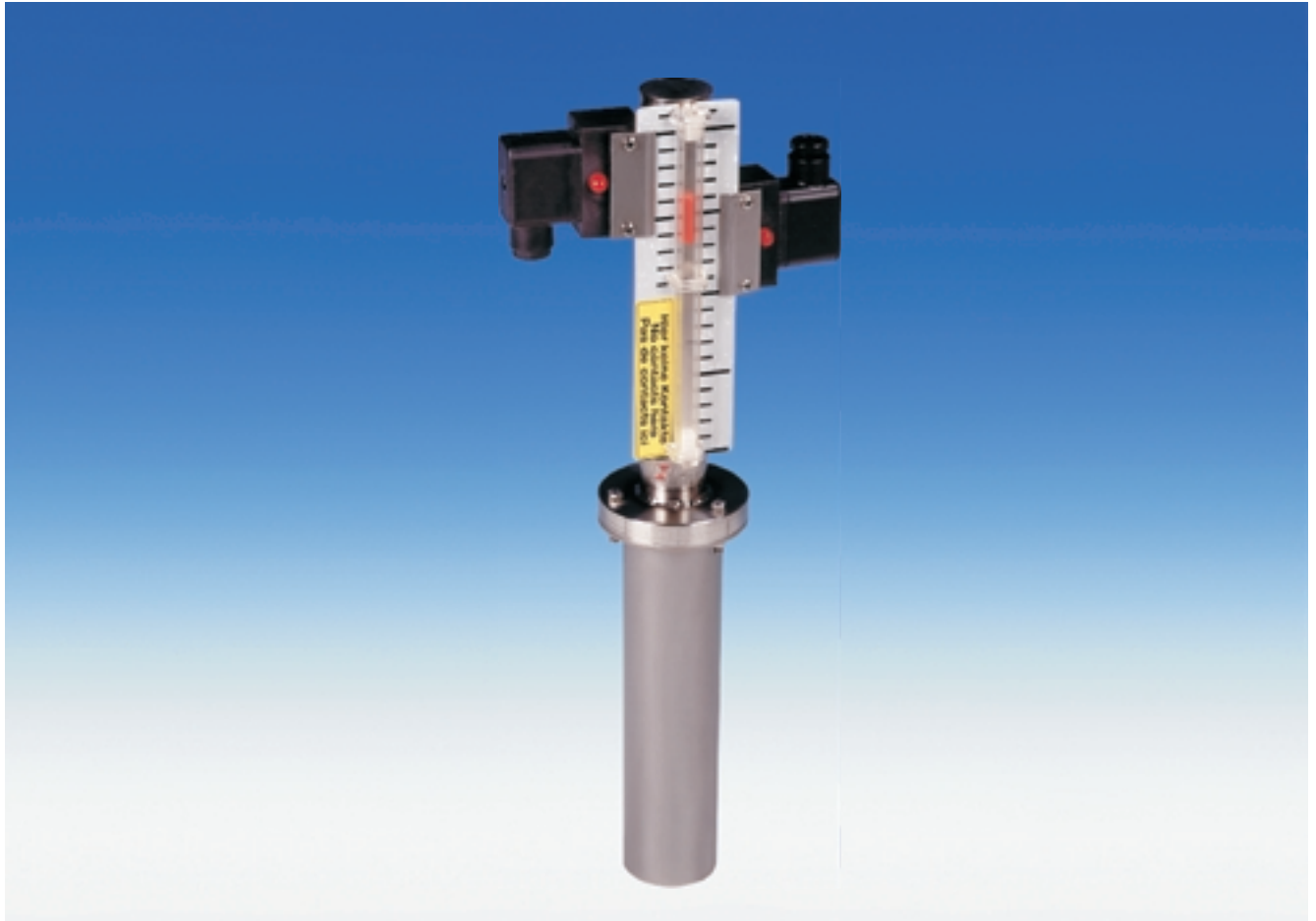


Level switch NS OM-VA (-K)



Fluid power applications that require both a visual indication and an electrical output for fluid level can use the NS OM-VA level switch. The unit is highly visible and is particularly suited to applications where the tank is hidden, or at a lower floor level.

- **infinitely variable level contacts**
- **monitoring of smaller level differences**
- **optional continuous analogue signal 4-20mA**
- **electrical connector included**
- **standard lengths of 250, 370 and 520 mm**
- **ease of installation**
- **maintenance free**

