

# Type **TVR61**

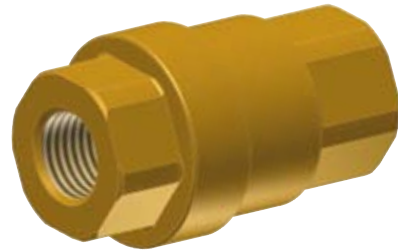
**Brass Check Valve**



## General

### DESCRIPTION

The check-valves of the series type TVR61 are featuring low-noise operation and have a high flow rate. The valves can be installed in any position. Only the flow direction must be considered.



### BENEFITS

- Minimum pressure loss
- High flow rate
- Extreme leak-tightness
- Low noise
- Durable
- Compact dimensions

### APPLICATION

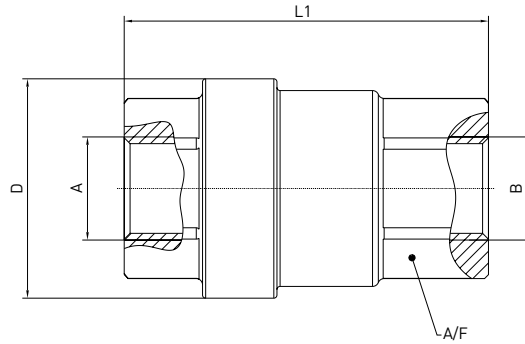
Hydraulic and pneumatic applications in plant engineerings, also suitable in applications with submersible pumps, pressure vessels, air conditioning systems, heating systems etc.

### TECHNICAL DATA

Characteristic	Basic version
Inlet	Internal thread on both ends
Operating pressure PB	Min. 0.05 up to max. 48 bar, depending on body size
Cracking pressure	Min. 0.025 bar
Temperature range	-20°C up to max. +135°C
Medium	Cold and hot water, compressed air, oils
Material	Housing made of brass MS58, inner parts made of plastics
Spring material	Stainless steel
Sealing material	FKM, others on request

**Ordering**

**ORDERING**



Part No.	A / B	L1	D	A/F	DN	PB	Weight (g)
<b>C1-89289</b>	G1/4" internal thread	47	28	21	10	48 bar	97
<b>C1-89290</b>	G3/8" internal thread	47	28	21	10	48 bar	83
<b>C1-89292</b>	G1/2" internal thread	50	34	26	15	42 bar	147
<b>C1-89293</b>	G3/4" internal thread	60	42	32	20	35 bar	218
<b>C1-89294</b>	G1" internal thread	67	50	39	25	30 bar	340
<b>C1-89295</b>	G 1 1/4" internal thread	76	60,5	49	32	25 bar	551
<b>C1-89296</b>	G 1 1/2" internal thread	90	73,5	56	40	25 bar	913
<b>C1-89297</b>	G2" internal thread	101	89	69	50	20 bar	1414

Dimensions in mm  
Other connector sizes and versions are available on request.

## Other Information

### OTHER INFORMATION

For oil-hydraulic applications, as used for industrial and agricultural applications, we recommend **Type TVR60**.



Further information on our homepage  
[www.weh.com](http://www.weh.com)

#### WEH GmbH Precision Connectors

Siemensstraße 5  
89257 Illertissen  
GERMANY  
Phone: +49 7303 9609-0  
Fax: +49 7303 9609-9999  
eMail: [sales@weh.com](mailto:sales@weh.com)  
Internet: [www.weh.com](http://www.weh.com)

© All rights reserved, WEH GmbH 2008. Any unauthorized use is strictly forbidden. Subject to alteration.  
No liability will be assumed for any content. Herewith previous versions are no longer valid.