

TV17GE | High pressure valve with venting, manual actuation

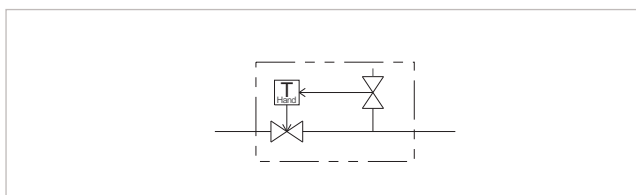
Specification



Pressure range: 0 - 420 bar

- Valve with OFF / ON function
- Automatic venting
- Actuation: manual

The TV17GE is a stop valve which can switch the gas flow OFF or ON, comparable to a two-way ball valve, but with a substantially higher durability. The compact design makes the TV17GE ideal for installation into gas process plants. After closing the valve the line output (port B) is vented. For example it may be used to vent a filling line where a connector needs to be depressurized in order to disconnect.



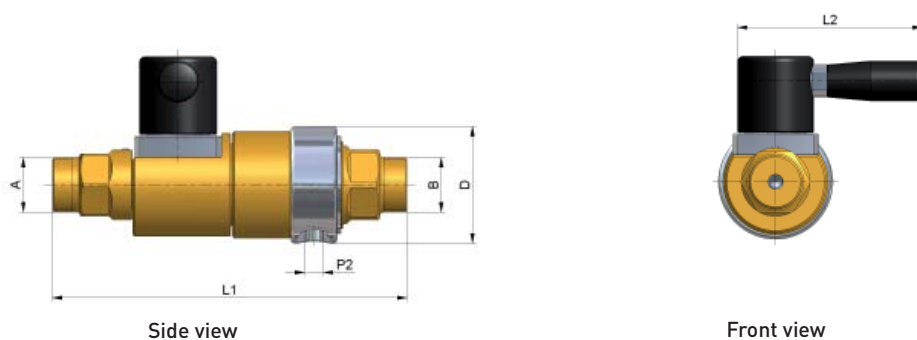
TV17GE - Symbol

Features

Characteristic	Specification
Actuation	Manual
Valve function	By actuation depressurized OFF or ON
Flow rate	Media flow one-way from inlet B to outlet A
Automatic venting	Yes
Check valve	No
Vacuum operation	Yes
Seals within media flow	NBR, others on request
Parts within media flow	Brass and stainless steel, others on request
PS (allowed operating pressure)	0 to 420 bar

TV17GE | Technical data

Dimensions



Ordering

Part No. TV17GE	DN	Inlet B Outlet A	Venting P2	L1	L2	D
C1-51566	8	M28x1.5 external thread	G1/8" internal thread	183	97	60
C1-84665	12	UNF 1 3/8" - 12 external thread	G1/8" internal thread	210	97	70

Approx. dimensions in mm

Options & Accessories

The TV17GE is also available oxygen cleaned and free of oil and grease. Please indicate when ordering. Other materials and seals on request. A large variety of adapters are available, see page 24 of our catalogue 55 for linear valves.